



Information from patents

Basic Licensing Course,
Rotterdam

Marco de Beurs

Netherlands Patent Office



Contents

Information from
patents

Marco de Beurs

Introduction

Patent information

Landscaping

FTO

1 Introduction

2 Patent information

Landscaping

FTO



Benefits for developers of patents

Introduction

Patent information

Landscaping

FTO

Why use information from patents?

- Ownership of inventions by patents.
- Huge collection of solutions.

Monopoly \Leftrightarrow Disclose invention

Car

Information from
patents

Marco de Beurs

Number of patents applicable for a car?

Introduction

Patent information

Landscaping

FTO



Worldwide: half a milion with producers, many more with suppliers.



Market and patents

Market opportunity aspects from the view of patents

- 1 Existing patent rights
 - Existing rights limit production and sales
 - Expired rights can be used
- 2 Potential competitors and partners
 - Your business strategy is depending on potential competitors and partners



Contents

Information from
patents

Marco de Beurs

Introduction

Patent information

Landscaping

FTO

1 Introduction

2 Patent information

Landscaping

FTO



Types of analyses

Information from
patents

Marco de Beurs

Introduction

Patent information

Landscaping

FTO

- At start of research: landscaping
 - Overview of existing solutions
 - Possibilities / restrictions
 - Competitors / partners
- Before product development: freedom to operate
 - Know the rights of others
- Protection of invention by patent: prior art search
 - Good patent requires knowledge of prior art



Types of analyses

Information from
patents

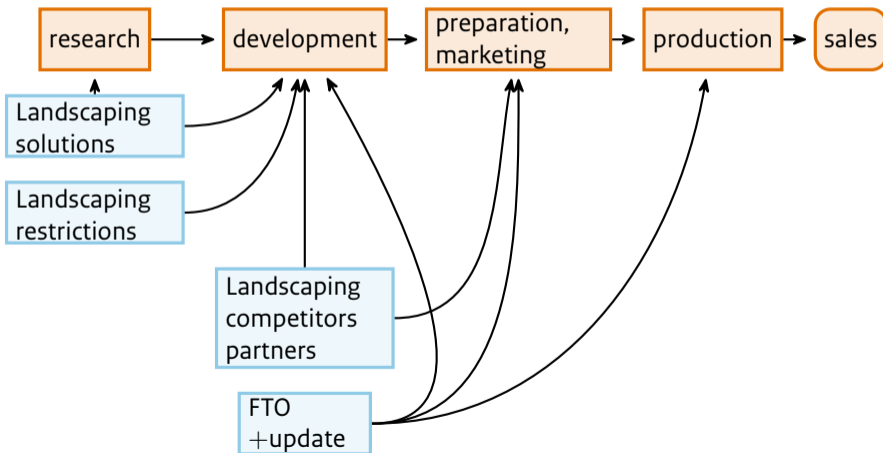
Marco de Beurs

Introduction

Patent information

Landscaping

FTO





Types of analyses

Information from
patents

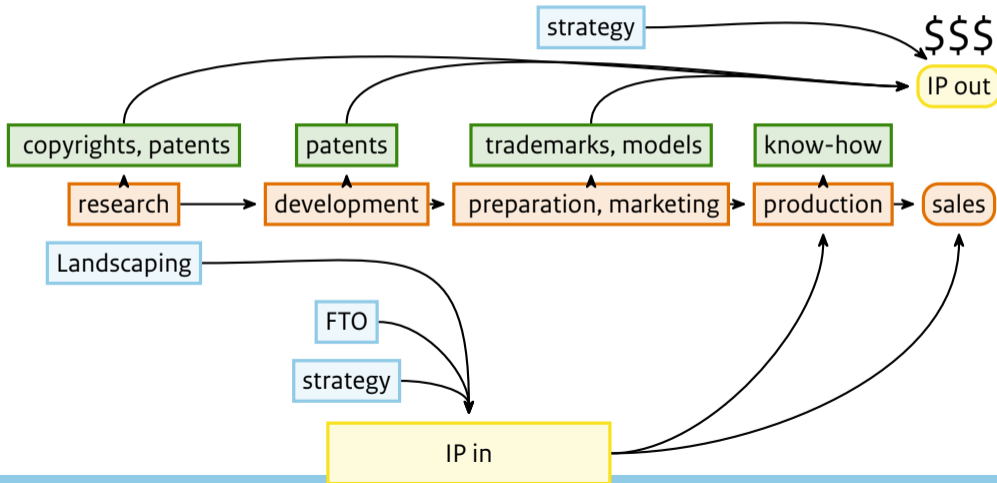
Marco de Beurs

Introduction

Patent information

Landscaping

FTO





Information from
patents

Marco de Beurs

Introduction

Patent information

Landscaping

FTO

Landscaping

Overview of existing solutions

- Goal:
 - Technical information
 - Solutions
- Useful for:
 - Technical developer



Information from
patents

Marco de Beurs

Landscaping

Possibilities / restrictions

Introduction

Patent information

Landscaping

FTO

- Goal:
 - Management of development
 - Possible development directions
- Useful for:
 - Developer
 - Purchasing



Landscaping example

endoscope

Information from
patents

Marco de Beurs

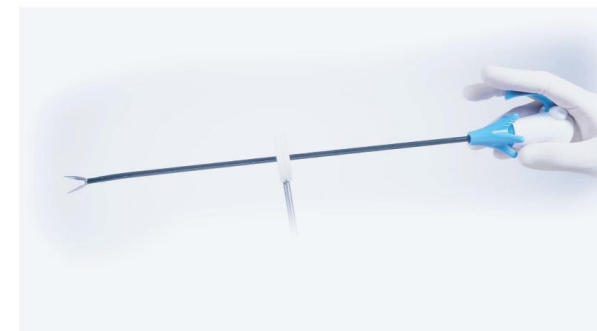
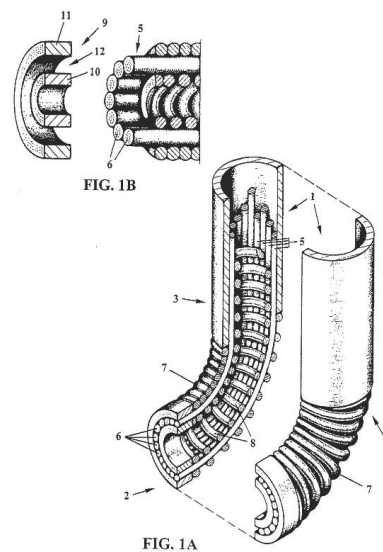
Introduction

Patent information

Landscaping

FTO

- Alternatives for spring
- Alternatives for wires



Information from
patents

Marco de Beurs

Introduction

Patent information

Landscaping

FTO

Landscaping example

preliminary result

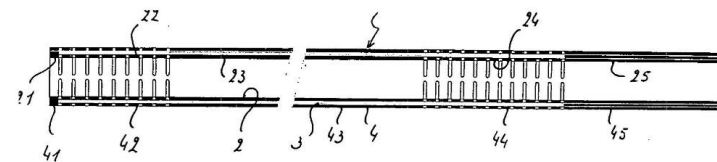
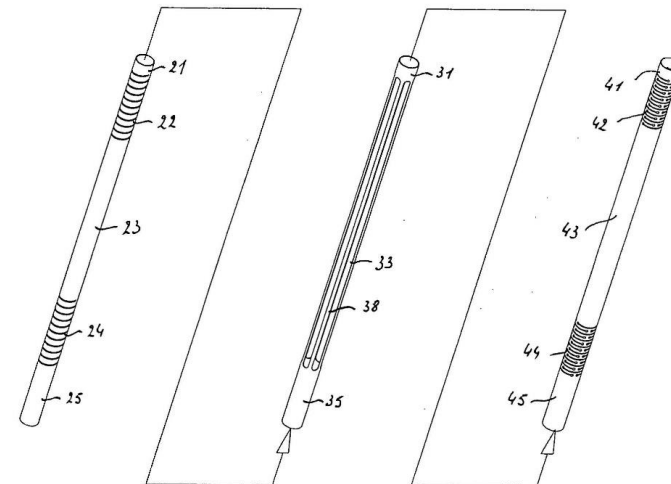


Fig. 1

- A61B1/0055
- 1000+ documents
- 60 interesting





Information from
patents

Marco de Beurs

Introduction

Patent information

Landscaping

FTO

Landscaping

Competitors / partners

- Goal:
 - Finding competitors
 - Finding partners
- Useful for:
 - Strategy



Contents

Information from
patents

Marco de Beurs

Introduction

Patent information

Landscaping

FTO

1 Introduction

2 Patent information

Landscaping

FTO



Assessment of risk of infringement.

- Analyse your Product
- Find active patent rights
- Risk analysis



Information from
patents

Marco de Beurs

FTO

More information

Introduction

Patent information

Landscaping

FTO

patentededucation.nl

Extra:

Handleiding onderzoek bestaande octrooirechten



Thank you

Information from
patents

Marco de Beurs

Introduction

Patent information

Landscaping

FTO

Questions?

`marco.debeurs1@rvo.nl`

`katja.apelt@rvo.nl`